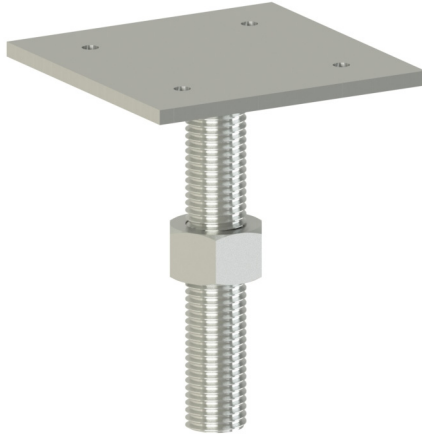


TECHNICAL DATA SHEET

ADJUSTABLE HEAD (TAS5C)



PRODUCT CHARACTERISTICS

Physical and Chemical properties

STEEL GRADE	Conform to CAN/CSA G40.21-350W and/or ASTM A500 grade C standards, or approved equivalent
THREADED ROD	Conform to ASTM A307M and/or SAE grade 2
ARC WELDING	Conform to CSA W59
ZINC COATING	Conform to ASTM-B633

Models

Standard characteristics

TAS5C ADJUSTABLE HEAD	Plate 5" x 5" x 1/4" thick, welded to a 6" x 1"Ø threaded rod
------------------------------	---

Mechanical resistance

EFFORTS	ULS ⁽¹⁾	SLS ⁽¹⁾
Compression in kN (lb) ⁽²⁾	126 (28 325)	67 (15 240)
Tension in kN (lb) ⁽²⁾	49 (11 125)	27 (6 180)

(1): ULS = Ultimate Limit State; SLS = Service Limit State.

(2): The resistances indicated in the above table represent the maximum metal assembly capacities taking into consideration a hollow profile with a base thickness plate of 1/4" resting on an adjustable head.

CONDITIONS OF USE

TAS5C adjustable pile heads have an adjustment rod to facilitate the leveling of the structure to be supported.

Adjustable heads are designed to support compression and tension loads only. In the event that lateral and/or bending forces will be applied to the adjustable head, the prior approval of an engineer will be required.

The applied loads must be centered on the pile head.

The adjustment of the pile head must in no case allows the threaded rod to come out of the adapter by more than 3" (3" maximum slenderness).

If the adjustable pile head is intended to support a hollow column, a steel plate with a minimum thickness of 1/4" must be installed at the base of the column. Approval from an engineer will be required.

CCMC
13102-R



NORMATIVE INFORMATION

Postech screw pile accessories have been calculated and tested on-site by an engineering firm recognized by the CCMC. The purpose of these tests was to validate the mechanical resistance of Postech accessories.

MANUFACTURER:
Pieux Vistech - Postech Screw Piles
10260, Bourque boulevard
Sherbrooke QC J1N 0G2
Tel. : 819.843.3003
Toll free: 1.866.277.4389
Fax. : 819.868.0793

postechpiles.com

ADVANTAGES

- Product and installation are supplied;
- Can be installed in all climates, weather or ground conditions;
- Allows the adjustment of pile heads;
- The most reliable & economical solution available;
- Reusable and recyclable, environmentally friendly;
- Can be installed under an existing structure;
- No waiting time, you can build as soon as the installation is completed.



TECHNICAL DATA SHEET

ADJUSTABLE HEAD (TAS5C)

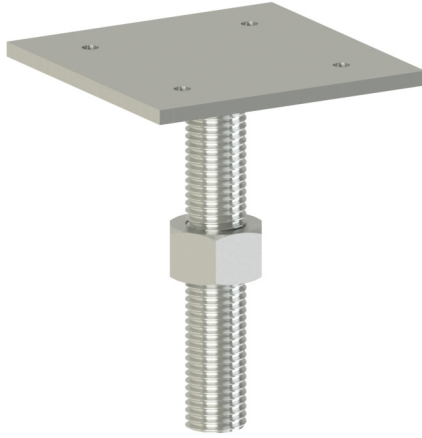


SMP - Services Corp.
PEO CoFA # 100523034



ALLOWABLE CAPACITIES WITH WOOD

COMPRESSION LOADS PARALLEL TO GRAIN (//)⁽¹⁾



Wood Species, grade No. 2 ⁽²⁾	Dry Conditions kN (lbs)	Wet Conditions kN (lbs)	Grading Rules Agency
S-P-F	70 (15 735)	56 (12 585)	NLGA

(1): When connected with wooden structures, these adjustable heads must be assembled with at least 4 lag screws with a diameter of 1/4" and a length of 3" conforming to SAE J429 or equivalent as well as washers.

(2) : As per AWC NDS 2018 Table 4A values (visually graded lumber), applicable for No. 2 grade or higher

For designs requiring different wood species or strengths greater than those indicated in the service capacity tables above, an engineer's approval will be required. Column buckling must be taken into account by project engineer.

CCMC
13102-R



NORMATIVE INFORMATION

Postech screw pile accessories have been calculated and tested on-site by an engineering firm recognized by the CCMC. The purpose of these tests was to validate the mechanical resistance of Postech accessories.

MANUFACTURER:
Pieux Vistech - Postech Screw Piles
10260, Bourque boulevard
Sherbrooke QC J1N 0G2
Tel. : 819.843.3003
Toll free: 1.866.277.4389
Fax. : 819.868.0793

postechpiles.com